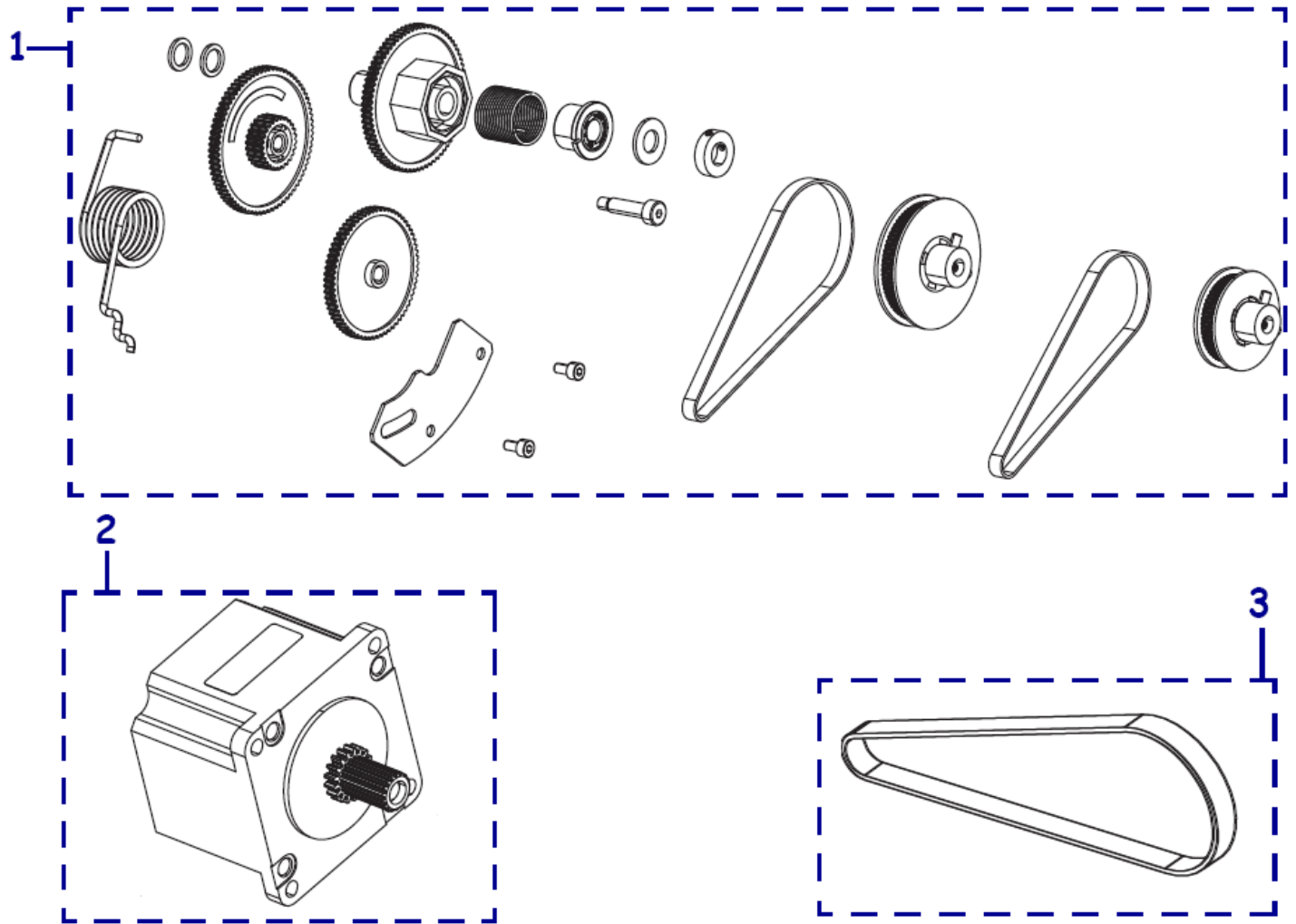


Drive System



Item Number	Description	Part Number	Quantity
1	Drive System ZT400 Series (includes gears, belts and pulleys for 203 dpi and 300/600 dpi)	P1058930-039	1
2	Drive Motor ZT400 Series	P1058930-040	1
3	Drive Belt 203 dpi ZT400 Series	79866M	1
3	Drive Belt 300 dpi and 600 dpi ZT400 Series	79867M	1